

CABLE 335 RF: FRONT MOUNT SMA STRAIGHT BULKHEAD JACK WITH O-RING RATED TO IP67/68 + RG178 CABLE + STRIP/TIN

SPECIFICATIONS :

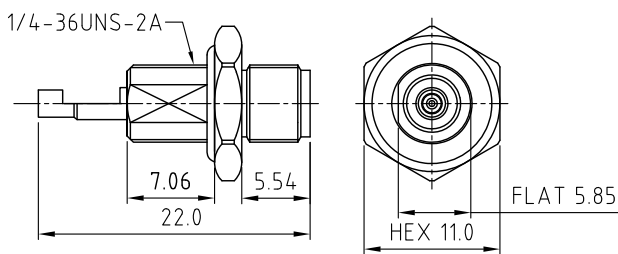
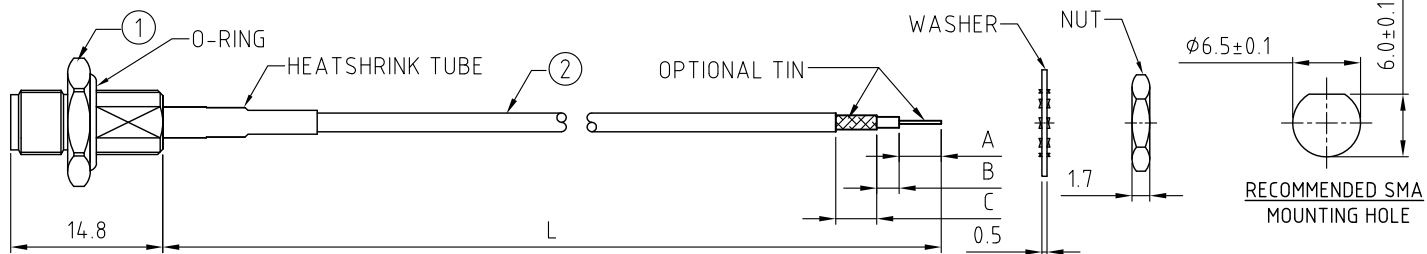
- FRONT MOUNT SMA STRAIGHT BULKHEAD JACK WITH O-RING RATED TO IP67/68, P/N: RFCT-SMA003-F78
- RG178 COAXIAL CABLE, COLOR: BROWN
- TWISTED BRAID OR FLEXIBLE COPPER WIRE, LENGTH = A (CENTRE CONDUCTOR) + B (INSULATOR). MINIMUM = 6.0MM. LENGTH 6.0MM - 9.9MM: TWISTED BRAID. LENGTH +10MM: FLEXIBLE COPPER WIRE.

ENVIRONMENTAL:

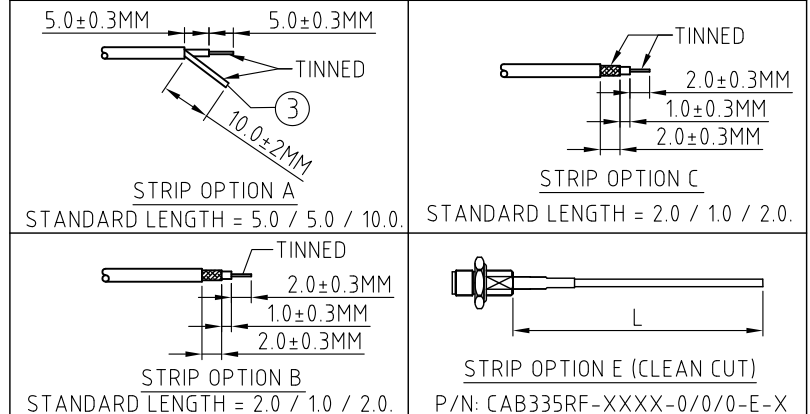
- A. BULKHEAD MOUNTED CONNECTOR (RFCT-SMA003-F78) TESTED TO THE FOLLOWING SPECIFICATION:
- IP6X - DUST TIGHT - NO PARTICLE INGRESS.
 - IPX7 WATERPROOF FOR 30 MINUTES UP TO 1 METER UNDERWATER
 - IPX8 WATERPROOF FOR 48 HOURS AT 1 METER UNDERWATER.
 - IPX8 WATERPROOF FOR 12 HOURS AT 5 METERS UNDERWATER.
 - PRESSURE TEST - 1 BAR FOR 10 SECONDS.

NOTES:

- STRIP DIMENSION A / B / C STANDS FOR
A = CENTRE CONDUCTOR
B = INSULATOR
C = BRAID.
- INSERTION LOSS TEST REPORT IS NOT AVAILABLE.
- THIS IS OUR STANDARD OFFERING, SPECIAL DESIGNS ARE AVAILABLE, INCLUDING CUSTOM TOLERANCES AND SPECIAL BRAID TINNING DESIGNS. PLEASE CONTACT GRADCONN FOR MORE INFORMATION.
- CENTRE CONDUCTOR AND TWISTED BRAID OF COAX CABLE IS TINNED. WHEN BRAID LENGTH EXCEEDS 10MM LENGTH OF TINNED COPPER WIRE IS SOLDERED TO THE BRAID/SHIELD OF THE COAX CABLE WHICH ALLOWS SOLDERING TO PCB.
- IT IS INTENDED THAT MOUNTING OF THIS CONNECTOR IS ACHIEVED USING THE NUT AND WASHER PROVIDED. PLEASE CONTACT GRADCONN FOR ADVISE IF PLANNING TO USE A DIFFERENT METHOD OF MOUNTING.



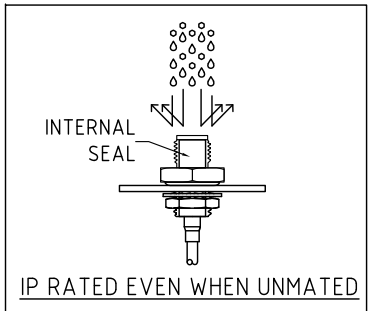
SMA DETAIL DRAWING



HOW TO ORDER

CAB335RF - X X X X - X.X / X.X / X.X - X - X

- "L" LENGTH IN MM
eg: 100MM = 0100
(MIN. = 0050, MAX. = 2000
STANDARD = 0100, 0150, 0200)
Tolerance: <50mm : ±2mm.
51-200mm: ±5mm.
201-500mm: ±7mm.
>501mm: ±10mm.
- A/B/C STRIP DIMENSION IN MM
FOR STANDARD LENGTH
PLEASE REFER TO DRAWINGS.
(SPECIALS AVAILABLE UPON REQUEST.)
- WASHER AND NUT OPTIONS:
BLANK = SEPARATELY PACKED (STANDARD)
A = ASSEMBLED WITH CONNECTOR
- STRIP AND TIN OPTIONS:
A = CENTER CONDUCTOR & TWISTED BRAID/SOLDERED COPPER WIRE TINNED (SEE NOTE 4 FOR SOLDER TO PCB APPLICATION)
B = STRIPPED, END A TINNED
C = STRIPPED, END A & C TINNED
E = CLEAN CUT



REV. DATE & DRN
10 15/02/19 - NYW RELEASE
11 16/07/20 - NYW
ADD 301/5
12 17/03/24 - CC
ADD IP RATING VIEW

Scale: NTS	THIRD ANGLE	Unstated Tolerances: .X N/A .XX N/A .XXX N/A ANGLES N/A
Drawn: CC		
App'd: XXX	Title CABLE ASSEMBLY	
Date: 17 MAR. '24	Revision: 1.2	Unit: mm



IP Rated RF Products www.gradconn.com

THIS DRAWING IS CONFIDENTIAL AND MUST NOT BE COPIED OR DISCLOSED WITHOUT WRITTEN CONSENT

Type: Cable 335 RF
CABLE 335 RF
Drawing Number:
Sheet 1 of 1
Drawing © E and O E